

# LRP-38

## LED PAR38 Lamp

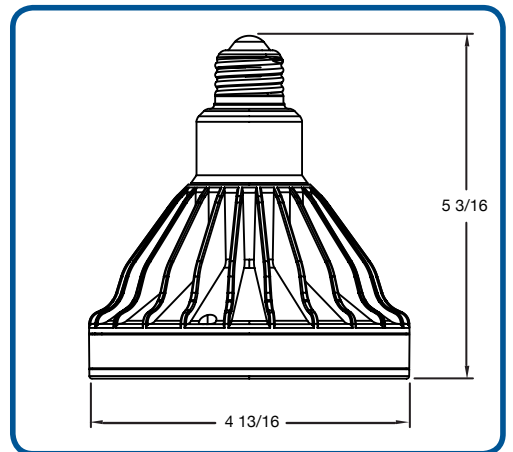
### Product Description

The LRP-38 is a revolutionary PAR38 lamp that combines the beauty and intensity of Halogen with exceptional efficiency and longevity. It is the first LED lamp to deliver on the promise of LED lighting for retail lighting, museum lighting, and architectural accent lighting. Its breakthrough performance is achieved by combining the high efficacy and high quality light of Cree TrueWhite™ technology with a unique optical and thermal management approach. U.S. patent #7,213,940 issued. Numerous patents pending.



### Performance Summary

- Utilizes Cree TrueWhite™ technology
- CRI = 92
- CCT = 2700K
- Active Color Management
- CBCP = 4000
- Beam Angle = 20°
- Maximum Input Power = 12W
- 42 lumens per watt minimum
- Designed to last 50,000 hours in open fixtures
- Designed to last 35,000 hours in non-IC recessed downlights



### Ordering Information

**LRP38A92-20D40** - 120V, Edison Base, 20° beam angle, CBCP = 4000

NOTE: Gimbal ring and lampholder track heads with Edison bases rated for 12W are available available from Cree LED Lighting.  
(Please reference [www.CreeLEDLighting.com](http://www.CreeLEDLighting.com) for more information.)

# LRP-38

# LED PAR38 Lamp

## Product Information

### Cree TrueWhite™ Technology

- A better way to generate white light that utilizes a patented mixture of unsaturated yellow and saturated red LEDs.
- Tuned to optimal color point before shipment.
- Color management system maintains color consistency over time and temperature.

## Construction

- Durable die-cast aluminum housing with tempered glass lens to protect the LEDs and reflector.
- Integrated thermal management system, including heat pipe technology, conducts heat away from LEDs and transfers it to the surrounding environment.
- Conforms to ANSI standards for PAR38 lamp envelopes.

NOTE: Verify fit in fixtures that utilize the face of the lamp for mechanical attachment to ensure compatibility.

## Lifetime

- Designed to last to 50,000 hours and maintain at least 70% of initial lumen output when utilized in open fixtures such as gimbal ring or lampholder type track heads.
- Designed to last 35,000 hours and maintain at least 70% of initial lumen output when utilized in non-IC recessed downlights.

## Optical System

- Pixelation and direct view of unshielded LEDs is eliminated.
- Precisely formed specular reflector accurately redirects light with almost no light wasted outside of the beam.
- Projects smooth light patterns with no hot spots and minimal striations.
- Exceptional control ensures low brightness appearance when viewed from off-axis and outside of the beam.

## Electrical System

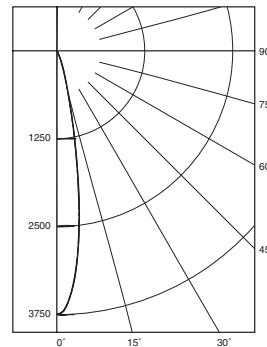
- Integral, high efficiency driver and power supply. Power factor > 0.9 Input voltage = 120V, 60Hz

## Regulatory and Voluntary Qualifications

- Tested and certified to UL standards. Suitable for damp locations.
- Utilize GU-24 base for new construction projects in California or other areas where high efficacy line voltage sockets are required.

## Photometry

LRP38A92-20D40 ITL Test#61719



### Intensity (Candlepower) Summary

ANGLE	MEAN CP
0°	4000
5°	3441
15°	699
25°	5
35°	0
45°	0
55°	0
65°	0
75°	0
85°	0
90°	0

### Zonal Lumen Summary

ZONE	LUMENS	%LAMP
0° - 30°	500	100%
0° - 40°	0	0
0° - 60°	0	0
0° - 90°	500	0



Cree LED Lighting  
Morrisville • NC • 27560 • USA  
1-919-287-7700 Fax 1-919-991-0730  
www.CreeLEDLighting.com

Copyright © 2009 Cree, Inc. All rights reserved. The information in this document is subject to change without notice. Cree is a registered trademark, and the Cree LED Lighting logo, the Cree TrueWhite Technology logo, and TrueWhite are trademarks of Cree, Inc. Sheet# LRP-38-6/2009